



Displaying colours the LED way

Tailored Light Colour for Better Display

Have you ever thought of the art of displaying your goods more attractively? For example, your clothing apparels more outstanding or the meat in the supermarket seems more juicy or the bread in the bakery looks so fresh? It all got to do with the right colour of lights.

We understand and have studied the right colours for every applications and our track lights are design to be able to perform to the application in question.

1. Crips White - Clothing apparels, jewellery.
2. Meat Lovers Red - Poultry, meat, and red meat fish (salmon)
3. Fresh Bread Brown - Bread, cakes, pastries

Applications:

- Retail Application
- Apparels & Clothing
- Supermarkets
- Bakery & Deli

Model:

NX-TRL-SLM-2: 28W/ 2000lm

NX-TRL-SLM-3: 35W/ 3000lm

S01— Crips White

S02— Meat Lovers Red

S03— Fresh Bread Brown

Powered by **PHILIPS**

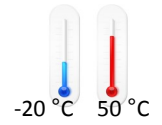
Thinking of lights the different way. Save more, do more with LEDs.

NOXEL LED. *Light of the future.*

NOXEL[®]
LED LUMINAIRES

WWW.NOXEL.COM

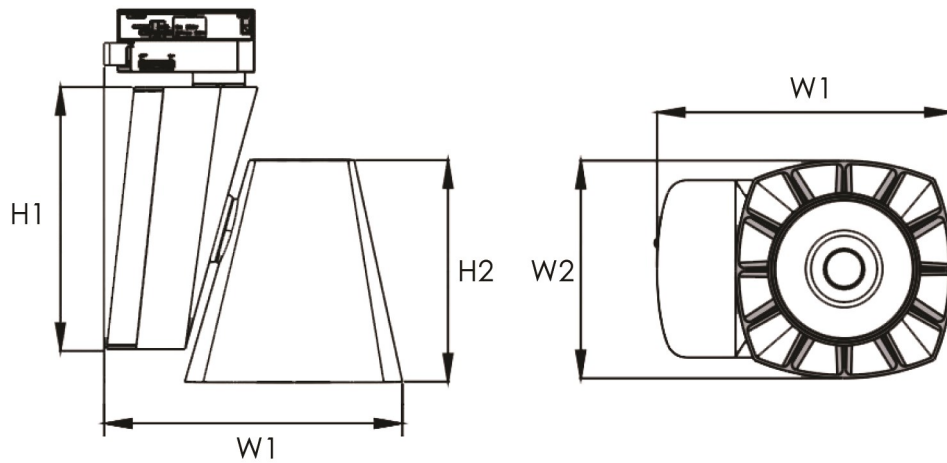
NOXEL LED TRACK LIGHTS



Module Powered by: **PHILIPS**

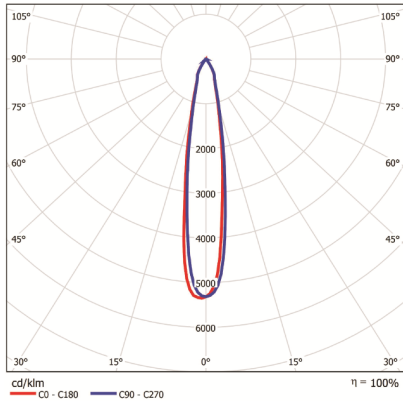
Specification

Model Code	Wattage	Luminous Flux (3000K)	Beam Angle (°)	Height (H1/ H2)(mm)	Width (W1/ W2)(mm)	Weight (kg)	Track
NX-TRL-SLM-02	28W	2000	16°/24°/36°	143/120	161/118	1	2 ways
NX-TRL-SLM-03	35W	3000	16°/24°/36°	143/120	161/118	1	2 ways

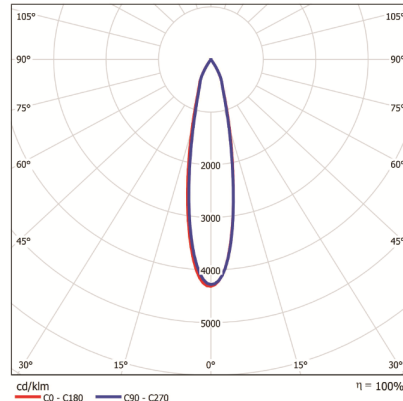


NOXEL[®]
LED LUMINAIRES

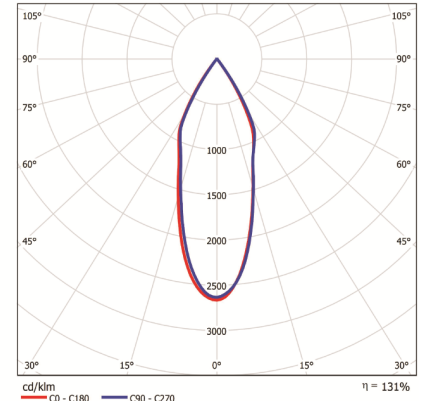
Photometric Data



NX-TRL-SLM-0A-X-16°



NX-TRL-SLM-0A-X-24°



NX-TRL-SLM-0A-X-36°

“We understand the requirements to bring out the right colour spectrum”



NOXEL[®]
LED LUMINAIRES

WWW.NOXEL.COM